



SHELF LIFE & PROPER HANDLING

Product Shelf Life Recommendation

Fresh-Lock® sliders are molded plastic. For best performance, we recommend that our sliders be stored in optimal storage conditions and used within 1 year from the date of manufacture, and as such, we warranty with a defect rate above the defect rate of 250 -PPM.

Optimal Storage Conditions:

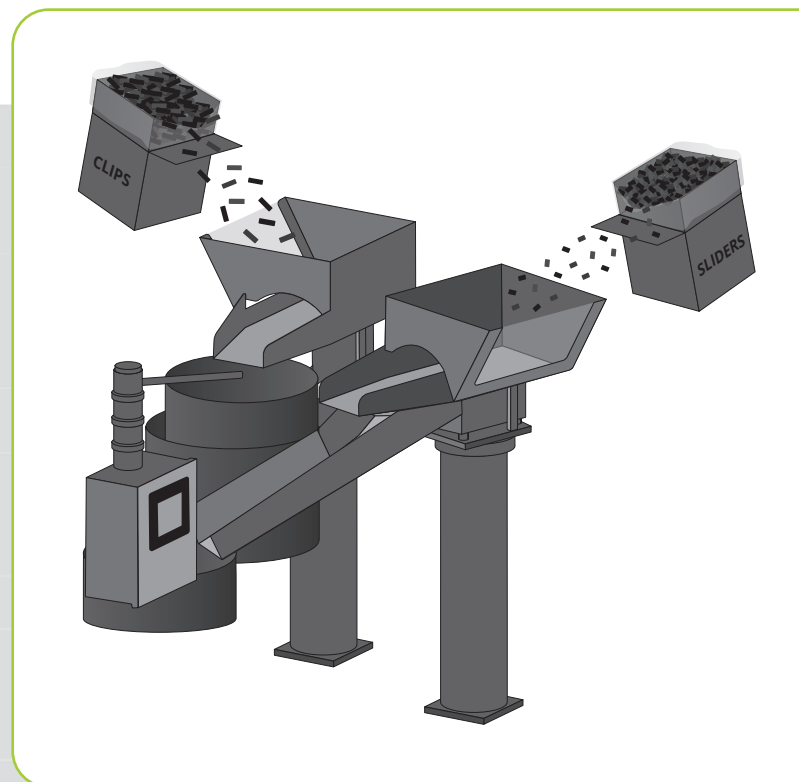
Temperature: 0 to 120° F (-18 to 49° C)

Relative Humidity: 10 to 75%

Handling Procedure

All boxes of molded parts will be individually loaded onto a pallet. The pallet of cases will be stretch-wrapped with reinforcement corner boards to reduce the chance of shipping damage.

- ✓ Upon receipt of pallet by the customer, inspect for damage.
- ✓ Report any damage to your customer service representative.
- ✓ Store in original package, preferably on pallet, until ready to use.
- ✓ Do not double stack pallets at any time and never store other items on top of boxes.
- ✓ When ready to use, remove stretch wrap from exterior of boxes, open the top of the box, open liner, and pour out of a corner directly into machine hopper.
- ✓ Do not use boxes or parts that show visible damage.



- ✓ Only use fresh parts. Do not place parts into the hopper that were on the floor or handled by hand.
- ✓ Empty the sortation bowl on a daily basis.